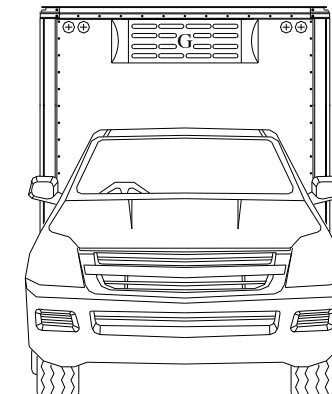


ขนาดตู้โดยประมาณ	กว้าง (มม.)	ยาว(มม.)	สูง (มม.)
ขนาดภายนอก	1780	2400	1700
ขนาดภายใน	1630	2200	1420



(.....)

ผู้อนุมัติแบบ

INQI		IPART NAMEI		IMATERIALI		IQ.T.YI		IWEIGHTI		IREMARKSI	
ISRD ANGLEP I		ISCALEI		IDATEI		INAMEI					
		1:100		29/02/55		SIZE					
IPAINI-SURFACE TREATMENTI		IMATERIALI		IMASSI		ICUSTOMER'S PART NO I					
		SUS									
IAPPROVEI		IDESINERI		ICHECKI		IDrawingI		IPART NO I			
RUJIROJE		PAIROJE		RUJIROJE		PAIROJE					
IDWG LISTI						IA3I		GOODTEMP CO.,LTD			

GTDE-5 Direct Drive with Stand by Unit

Set Part No. 12V. 9691-0013-00
24V. 9691-0014-00

CONDENSING & STAND-BY UNIT



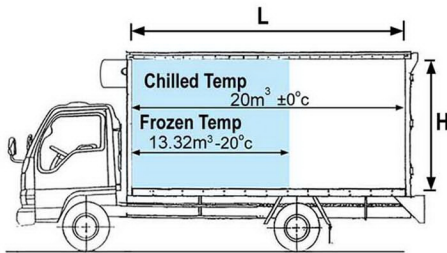
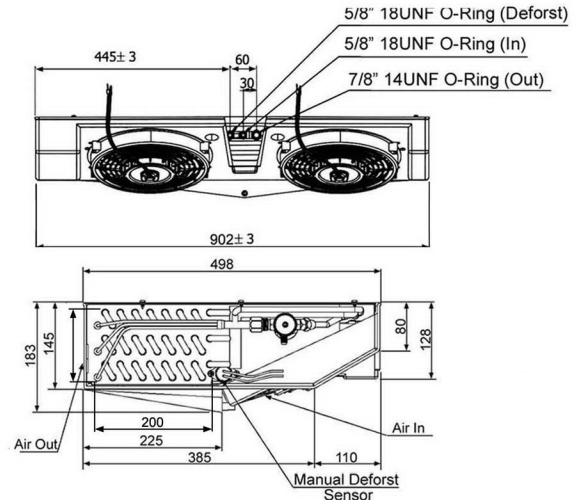
FREEZER UNIT



WIRE HARNESS
8150-0414-00 12V.
8150-0412-01 24V.



DIGITAL
THERMO-CONTROL
MANUAL (AUTO DEFROST)
9042-0105-00



	Inner Container Size (Meter)			Inner Vol. (m ³)
	L	W	H	
Chilled Temp	4.3	2.1	2.1	20
Frozer Temp	4.0	1.8	1.85	13.32

Advantage

1. High Efficiency Cooling Performance
2. Electrical System : Easy for Maintenance
3. Easy for Installation

SPECIFICATION

	Condensing Unit		Freezer Unit	
	12V.	24V.	12V.	24V.
Part No.	9690-0003-00	9690-0004-00	9261-0130-00	9261-0132-00
Recommend Compressor	145-170 cc. or Equivalent			
Condenser	Aluminium Fins + Aluminium Tube			
Coil	Aluminium Fins + Aluminium Tube			
Defrost	Manual (Automatic Hot Gas Defrost)			

Cooling Capacity

Ambient Temp. 35°C (95F)

1BTU = 0.29307 WATTS

On Air return		Direct Drive		Electric Stand by 50hz		Recommend Refrigerant
Degrees C	Degrees F	Watts	Btu/hr	Watts	Btu/hr	
0	32	4,700	16,100	3,302	11,270	R-134a
-20	-4	1,700	5,800	1,190	4,060	R-404
-25	-13	1,500	4,800	985	3,360	R-404

* Specification are subject to change without notice.

GTDE-2 Direct Drive with Stand by Unit

Set Part No. 12V. 9691-0011-00
24V. 9691-0012-00

CONDENSING & STAND-BY UNIT



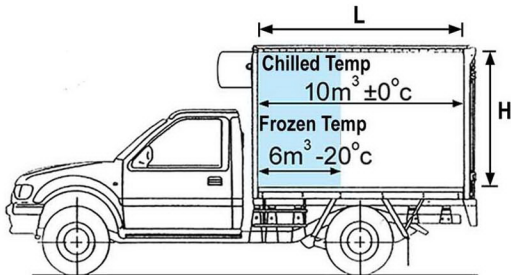
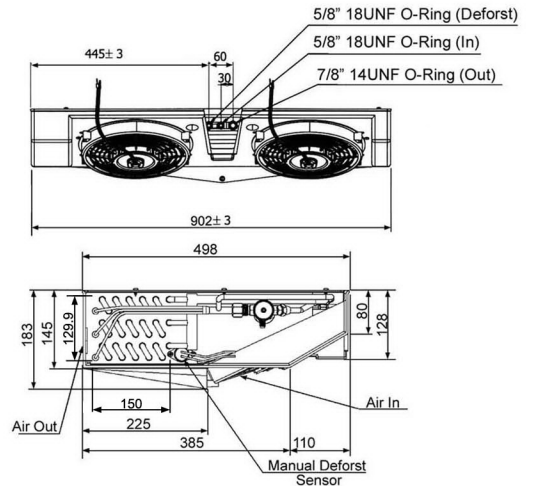
FREEZER UNIT



WIRE HARNESS
8150-0414-00 12V.
8150-0412-01 24V.



DIGITAL THERMO-CONTROL MANUAL (AUTO DEFROST)
9042-0105-00



	Inner Container Size (Meter)			Inner Vol. (m ³)
	L	W	H	
Chilled Temp	3.0	1.75	1.9	10
Frozer Temp	2.3	1.64	1.56	6

Advantage

1. High Efficiency Cooling Performance
2. Electrical System : Easy for Maintenance
3. Easy for Installation

SPECIFICATION

	Condensing Unit		Freezer Unit	
	12V.	24V.	12V.	24V.
Part No.	9690-0003-00	9690-0004-00	9261-0129-00	9261-0131-00
Recommend Compressor	120-150 cc. or Equivalent			
Condenser	Aluminium Fins + Aluminium Tube			
Coil	Aluminium Fins + Aluminium Tube			
Defrost	Manual (Automatic Hot Gas Defrost)			

Cooling Capacity

Ambient Temp. 35°C (95F)

1BTU = 0.29307 WATTS

On Air return		Direct Drive		Electric Stand by 50hz		Recommend Refrigerant
Degrees C	Degrees F	Watts	Btu/hr	Watts	Btu/hr	
0	32	4,400	15,100	3,098	10,570	R-134a
-20	-4	1,600	5,400	1,108	3,780	R-404
-25	-13	1,400	4,800	985	3,360	R-404

* Specification are subject to change without notice.