

| ขนาดตู้โดยประมาณ | กว้าง (มม.) | ยาว(มม.) | สูง (มม.) |
|------------------|-------------|----------|-----------|
| ขนาดภายนอก | 1780 | 2400 | 2050 |
| ขนาดภายใน | 1630 | 2200 | 1800 |

(.....)

ผู้อนุมัติแบบ

| INQI | IPART NAMEI | IMATERIALI | IQ.T.YI | IWEIGHTI | IREMARKSI |
|---------------------------|-------------|------------|-----------|-----------------------|-----------|
| ISRD ANGLEP I | IDATEI | INAMEI | | SIZE | |
| ISCALEI | 29/02/55 | SUS | | [REDACTED] | |
| IPAINI-SURFACE TREATMENTI | IMATERIALI | IMASSI | | ICUSTOMER'S PART NO I | |
| | | | | IPART NO I | |
| IAPPROVEI | IDESINERI | ICHECKI | IDrawingI | IPART NO I | |
| RUJIROJE | PAIROJE | RUJIROJE | PAIROJE | IPART NO I | |
| IDWG LISTI | | | IA3I | GOODTEMP CO.,LTD | |

GTDE-5 Direct Drive with Stand by Unit

Set Part No. 12V. 9691-0013-00
24V. 9691-0014-00

CONDENSING & STAND-BY UNIT



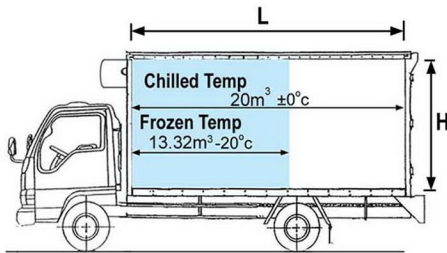
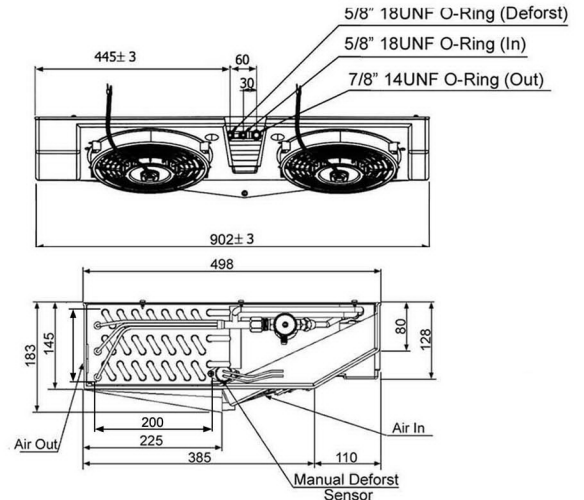
FREEZER UNIT



WIRE HARNESS
8150-0414-00 12V.
8150-0412-01 24V.



DIGITAL THERMO-CONTROL MANUAL (AUTO DEFROST)
9042-0105-00



| | Inner Container Size (Meter) | | | Inner Vol. (m ³) |
|--------------|------------------------------|-----|------|------------------------------|
| | L | W | H | |
| Chilled Temp | 4.3 | 2.1 | 2.1 | 20 |
| Frozer Temp | 4.0 | 1.8 | 1.85 | 13.32 |

Advantage

1. High Efficiency Cooling Performance
2. Electrical System : Easy for Maintenance
3. Easy for Installation

SPECIFICATION

| | Condensing Unit | | Freezer Unit | |
|----------------------|------------------------------------|--------------|--------------|--------------|
| | 12V. | 24V. | 12V. | 24V. |
| Part No. | 9690-0003-00 | 9690-0004-00 | 9261-0130-00 | 9261-0132-00 |
| Recommend Compressor | 145-170 cc. or Equivalent | | | |
| Condenser | Aluminium Fins + Aluminium Tube | | | |
| Coil | Aluminium Fins + Aluminium Tube | | | |
| Defrost | Manual (Automatic Hot Gas Defrost) | | | |

Cooling Capacity

Ambient Temp. 35°C (95F)

1BTU = 0.29307 WATTS

| On Air return | | Direct Drive | | Electric Stand by 50hz | | Recommend Refrigerant |
|---------------|-----------|--------------|--------|------------------------|--------|-----------------------|
| Degrees C | Degrees F | Watts | Btu/hr | Watts | Btu/hr | |
| 0 | 32 | 4,700 | 16,100 | 3,302 | 11,270 | R-134a |
| -20 | -4 | 1,700 | 5,800 | 1,190 | 4,060 | R-404 |
| -25 | -13 | 1,500 | 4,800 | 985 | 3,360 | R-404 |

* Specification are subject to change without notice.

GTDE-2 Direct Drive with Stand by Unit

Set Part No. 12V. 9691-0011-00
24V. 9691-0012-00

CONDENSING & STAND-BY UNIT



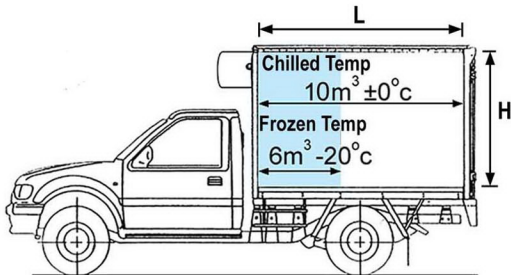
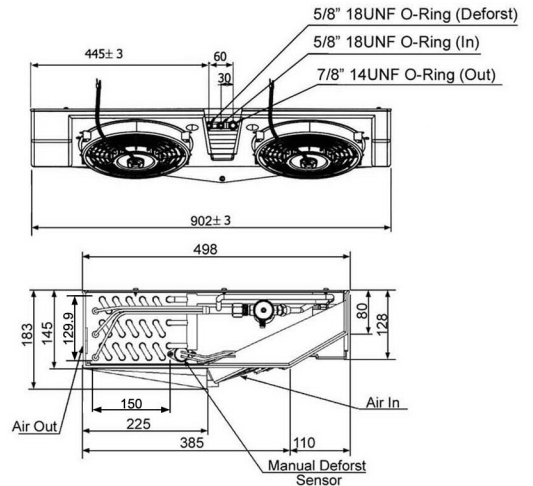
FREEZER UNIT



WIRE HARNESS
8150-0414-00 12V.
8150-0412-01 24V.



DIGITAL
THERMO-CONTROL
MANUAL (AUTO DEFROST)
9042-0105-00



| | Inner Container Size (Meter) | | | Inner Vol. (m ³) |
|--------------|------------------------------|------|------|------------------------------|
| | L | W | H | |
| Chilled Temp | 3.0 | 1.75 | 1.9 | 10 |
| Frozer Temp | 2.3 | 1.64 | 1.56 | 6 |

Advantage

1. High Efficiency Cooling Performance
2. Electrical System : Easy for Maintenance
3. Easy for Installation

SPECIFICATION

| | Condensing Unit | | Freezer Unit | |
|----------------------|------------------------------------|--------------|--------------|--------------|
| | 12V. | 24V. | 12V. | 24V. |
| Part No. | 9690-0003-00 | 9690-0004-00 | 9261-0129-00 | 9261-0131-00 |
| Recommend Compressor | 120-150 cc. or Equivalent | | | |
| Condenser | Aluminium Fins + Aluminium Tube | | | |
| Coil | Aluminium Fins + Aluminium Tube | | | |
| Defrost | Manual (Automatic Hot Gas Defrost) | | | |

Cooling Capacity

Ambient Temp. 35°C (95F)

1BTU = 0.29307 WATTS

| On Air return | | Direct Drive | | Electric Stand by 50hz | | Recommend Refrigerant |
|---------------|-----------|--------------|--------|------------------------|--------|-----------------------|
| Degrees C | Degrees F | Watts | Btu/hr | Watts | Btu/hr | |
| 0 | 32 | 4,400 | 15,100 | 3,098 | 10,570 | R-134a |
| -20 | -4 | 1,600 | 5,400 | 1,108 | 3,780 | R-404 |
| -25 | -13 | 1,400 | 4,800 | 985 | 3,360 | R-404 |

* Specification are subject to change without notice.